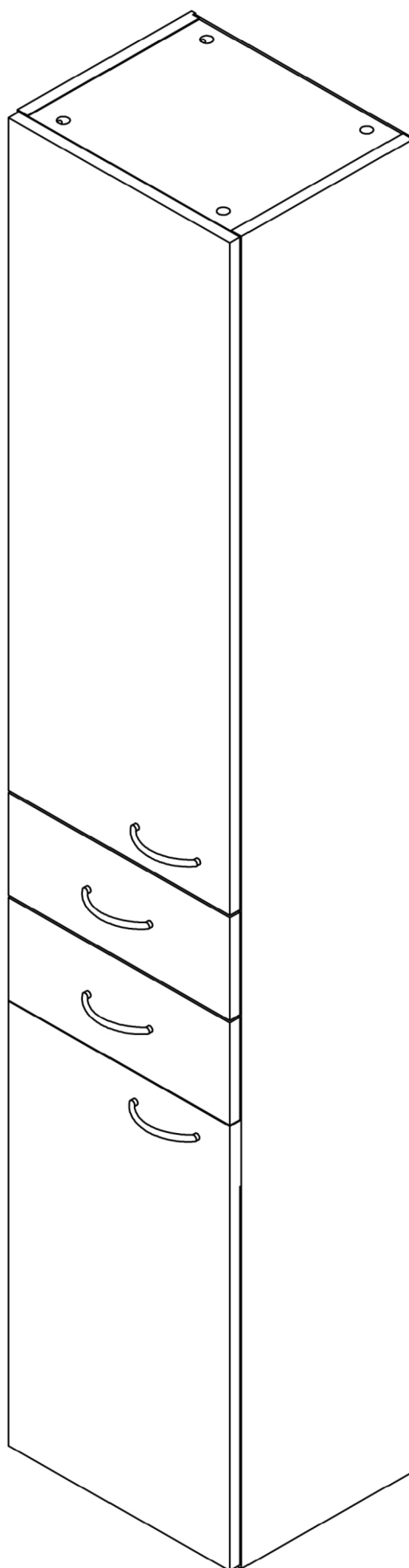
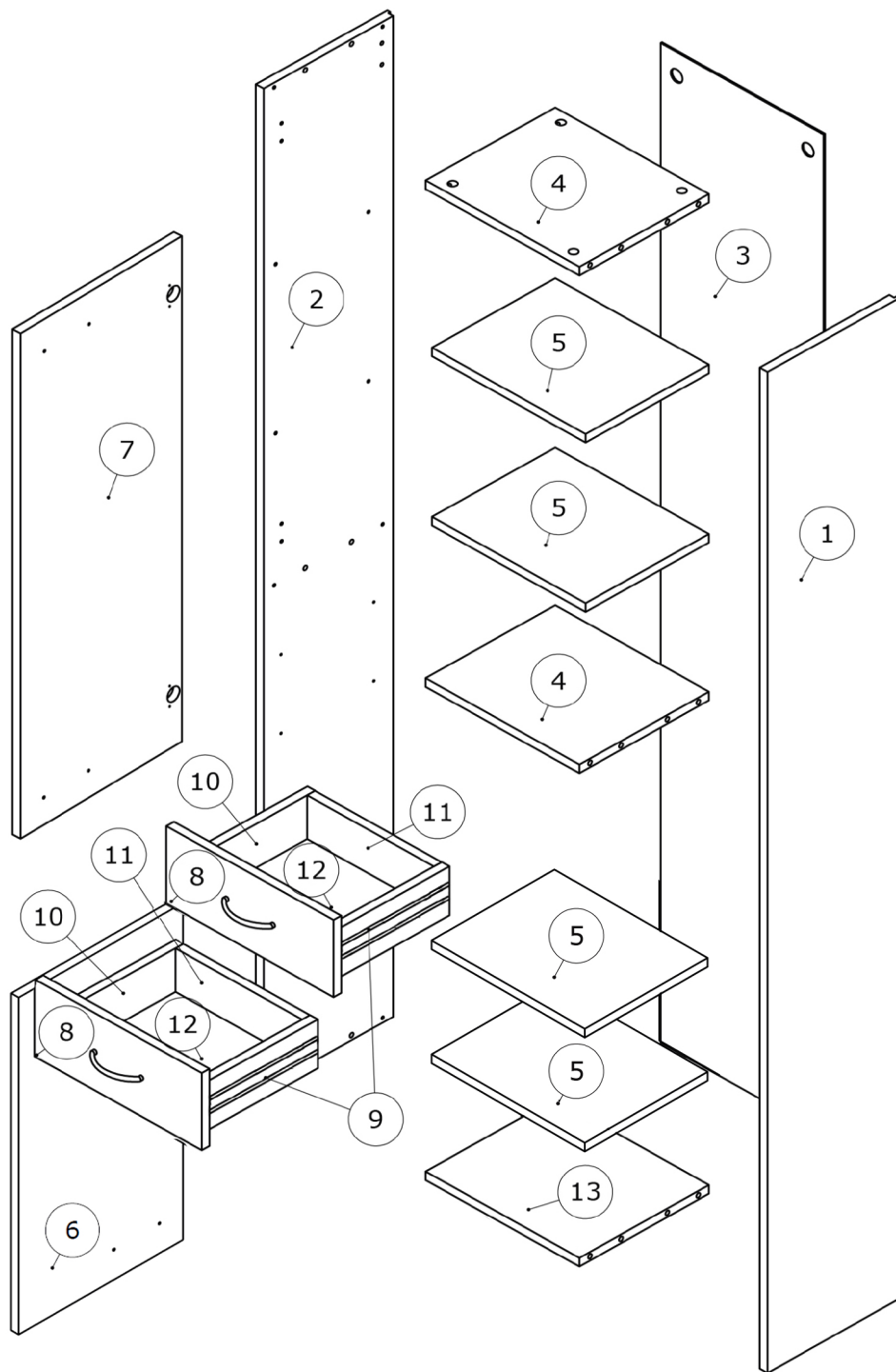



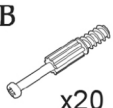
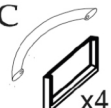






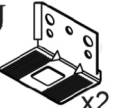
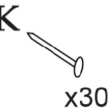




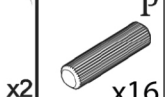
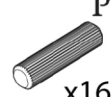
51220  
51221  
51222

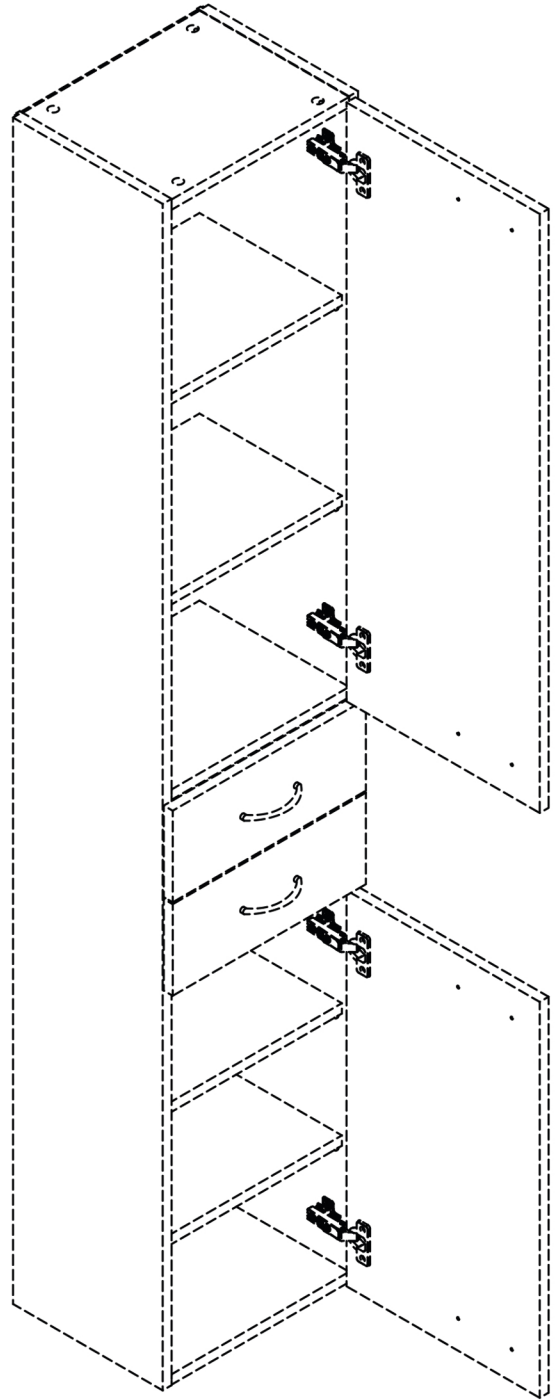
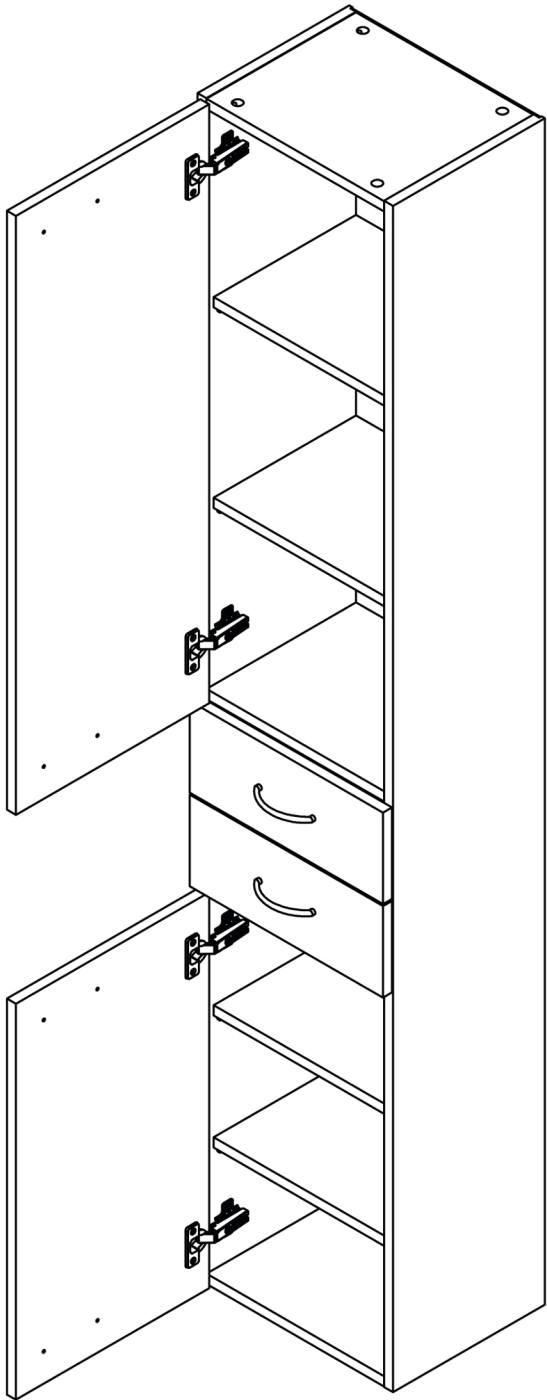
**MONTÁŽNÍ NÁVOD**  
**ASSEMBLY INSTRUCTION**



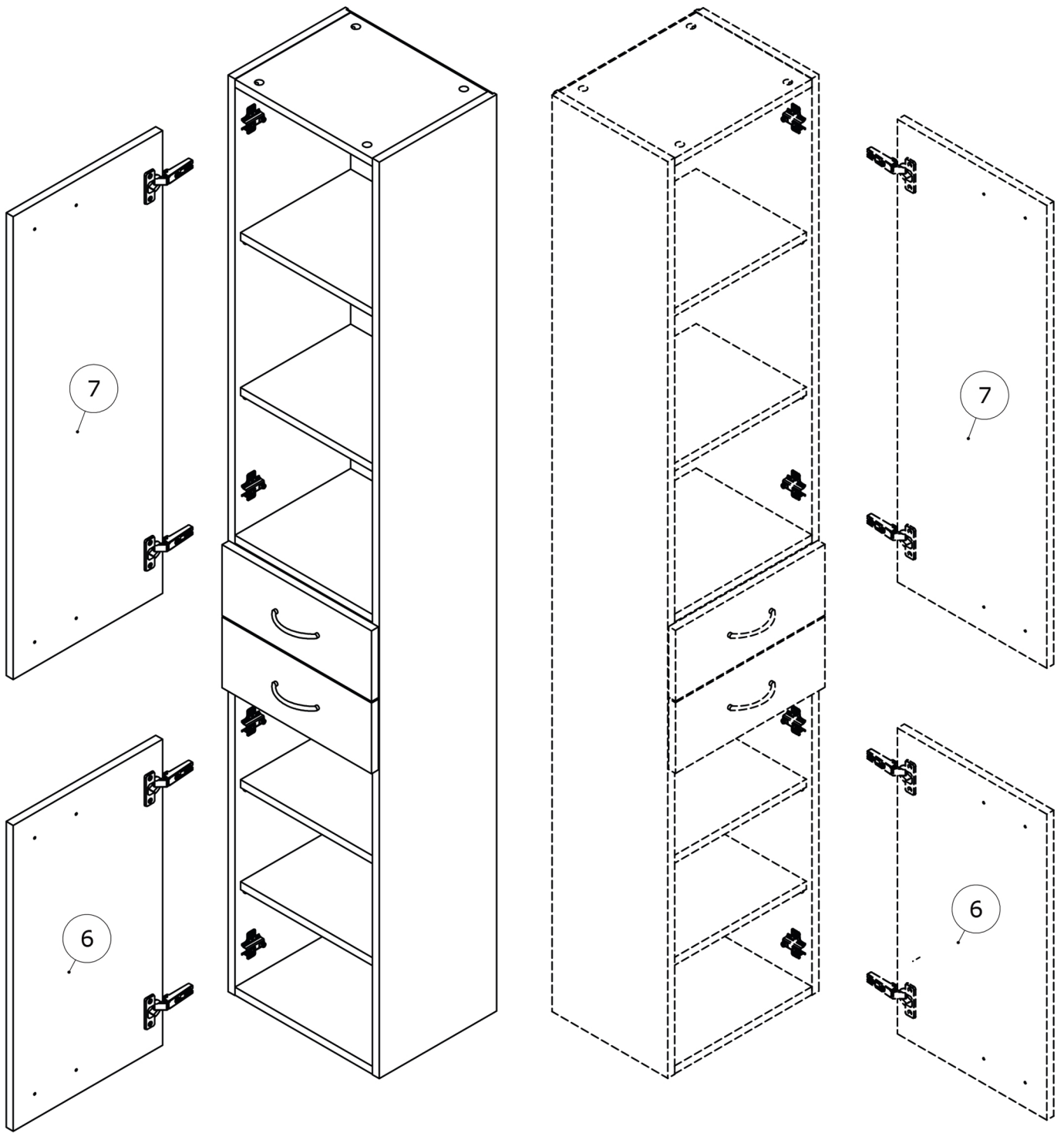
**1**



A  x20	B  x20	C  x4	D  4x16 x28	E  6x15 x4	F  x8	G  x4	H  x4	I  x8	J  x2	K  x30
<div data-bbox="108 1886 295 2069" data-label="Text"> <h1>2</h1> </div>		L  x1	M  x1	Q  x1	R  x2	S  x2	P  x16			



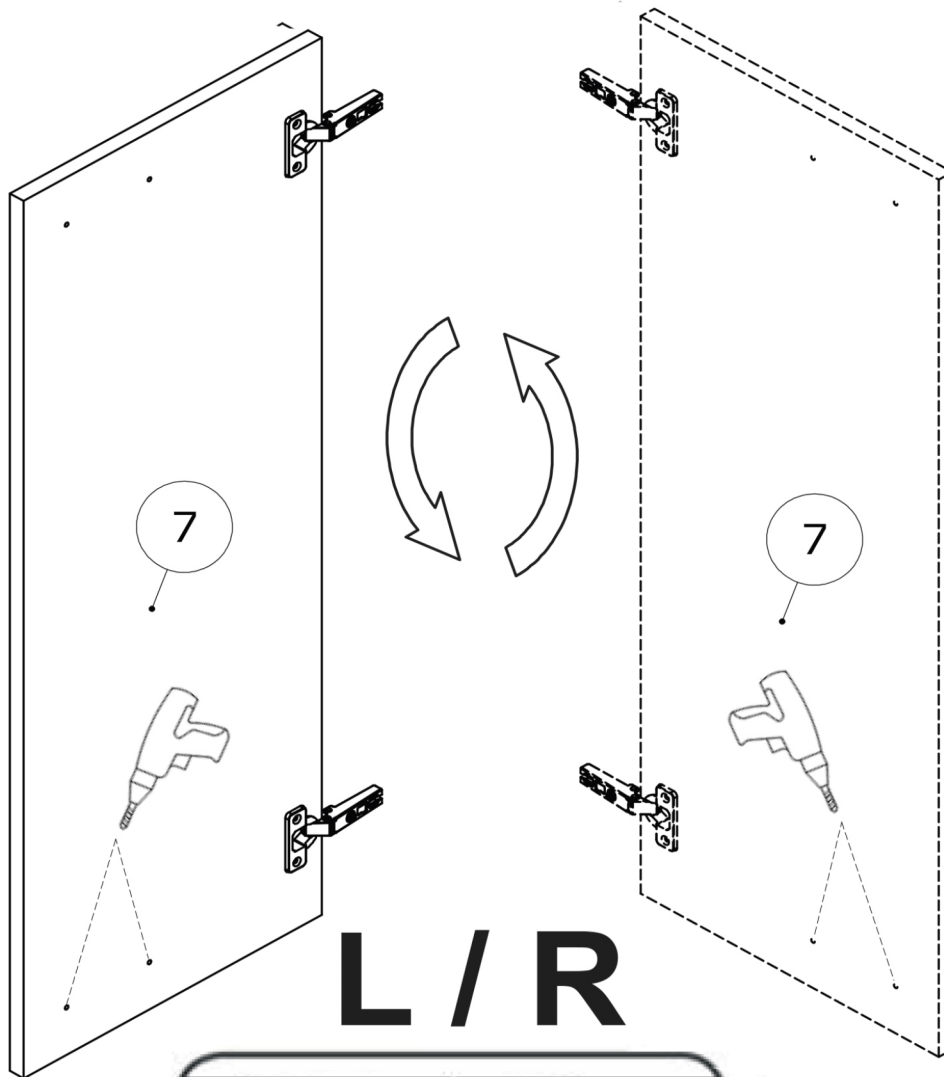
3



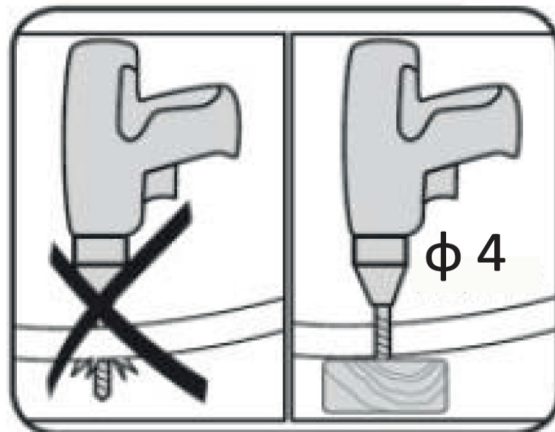
4



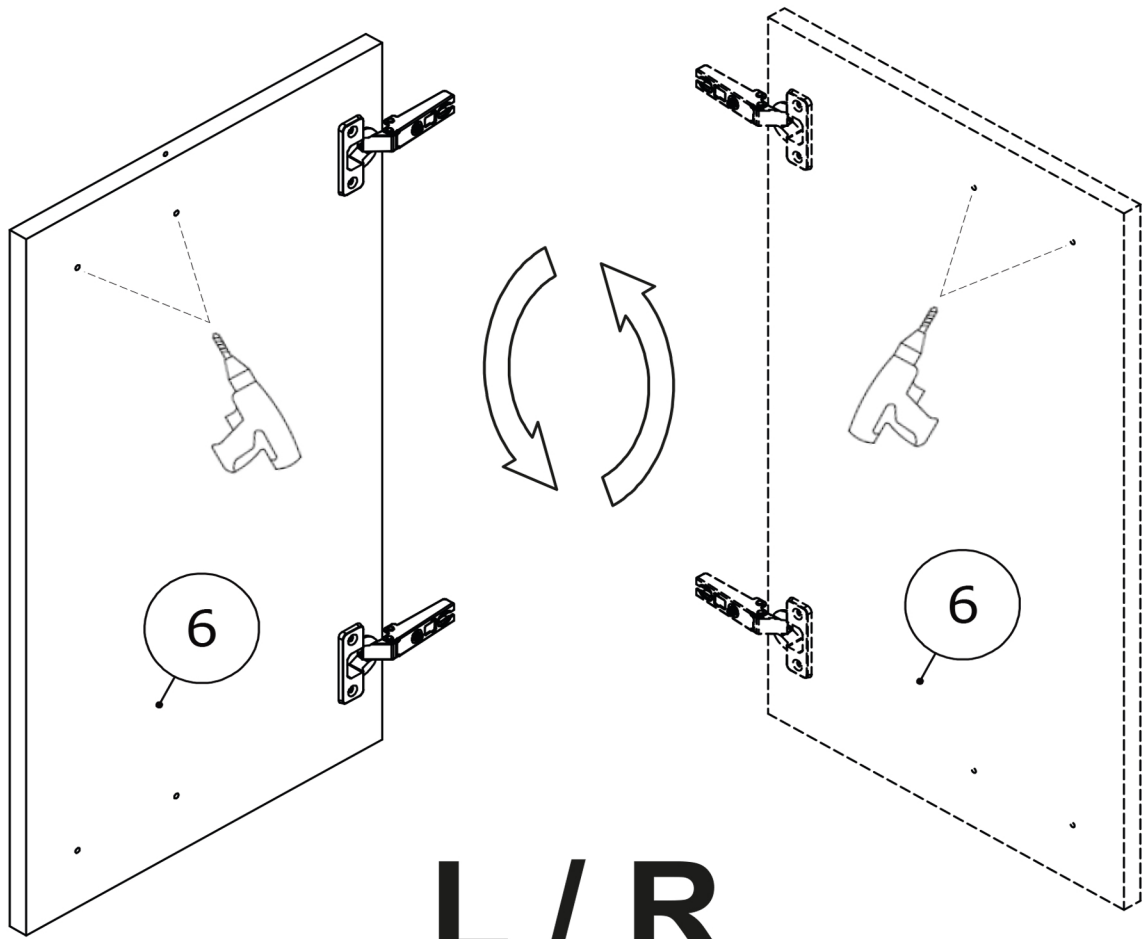




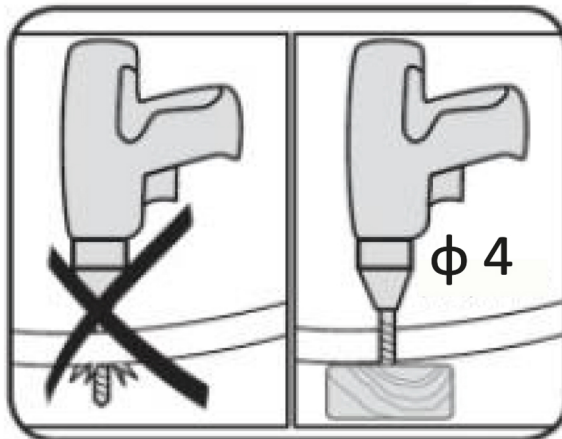
L / R



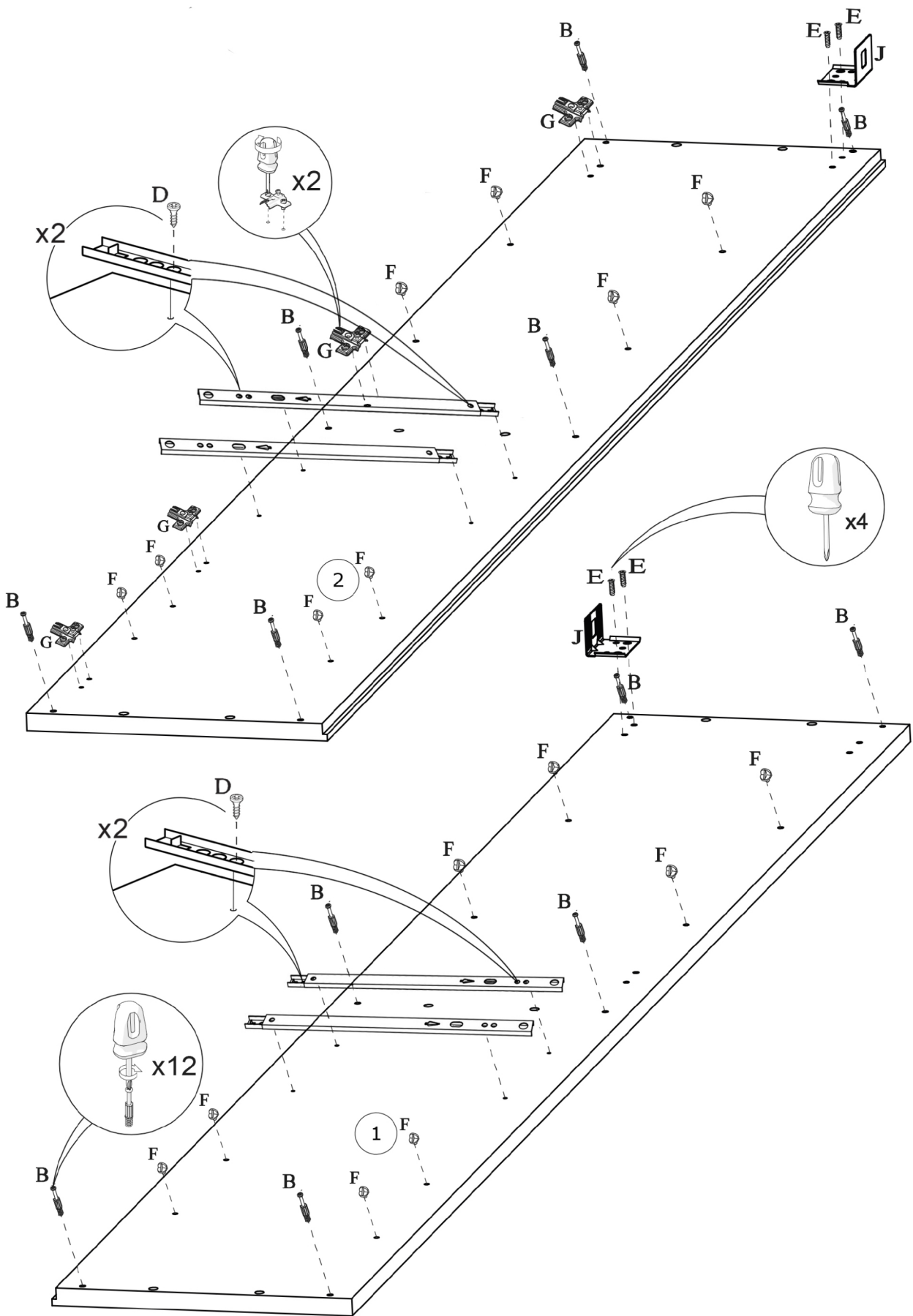
5





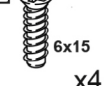





L / R

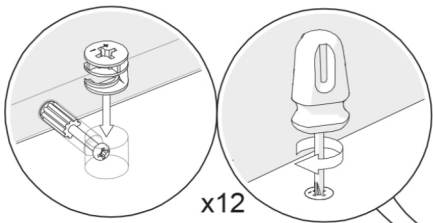


6

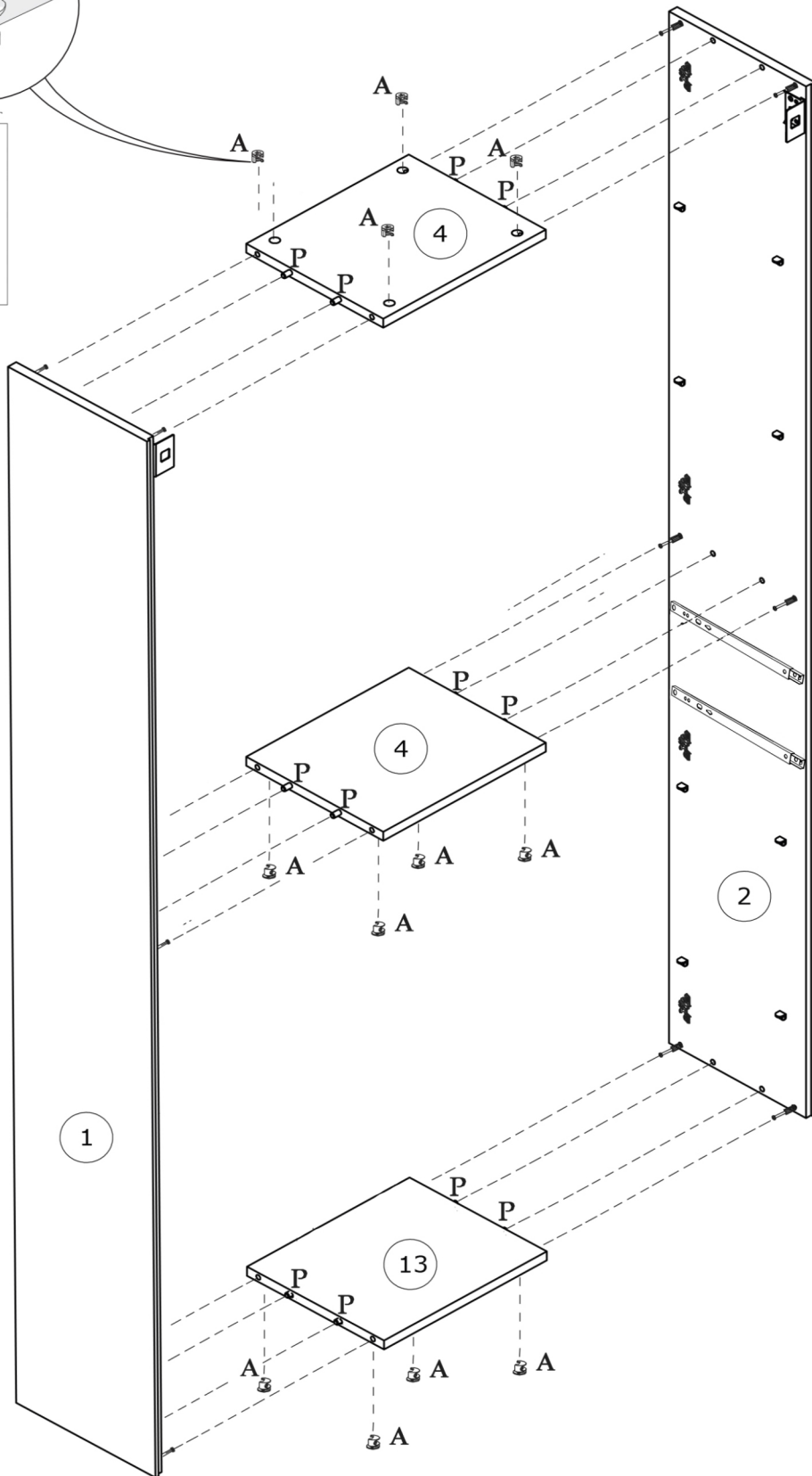
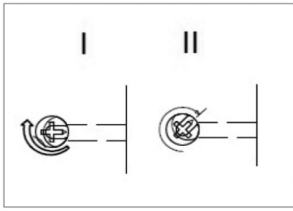


7

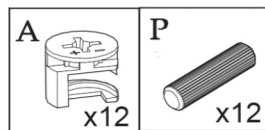
 B x12	 D 4x16 x8	 E 6x15 x4	 F x16	 G x4	 J x2
 L x1		 M x1			

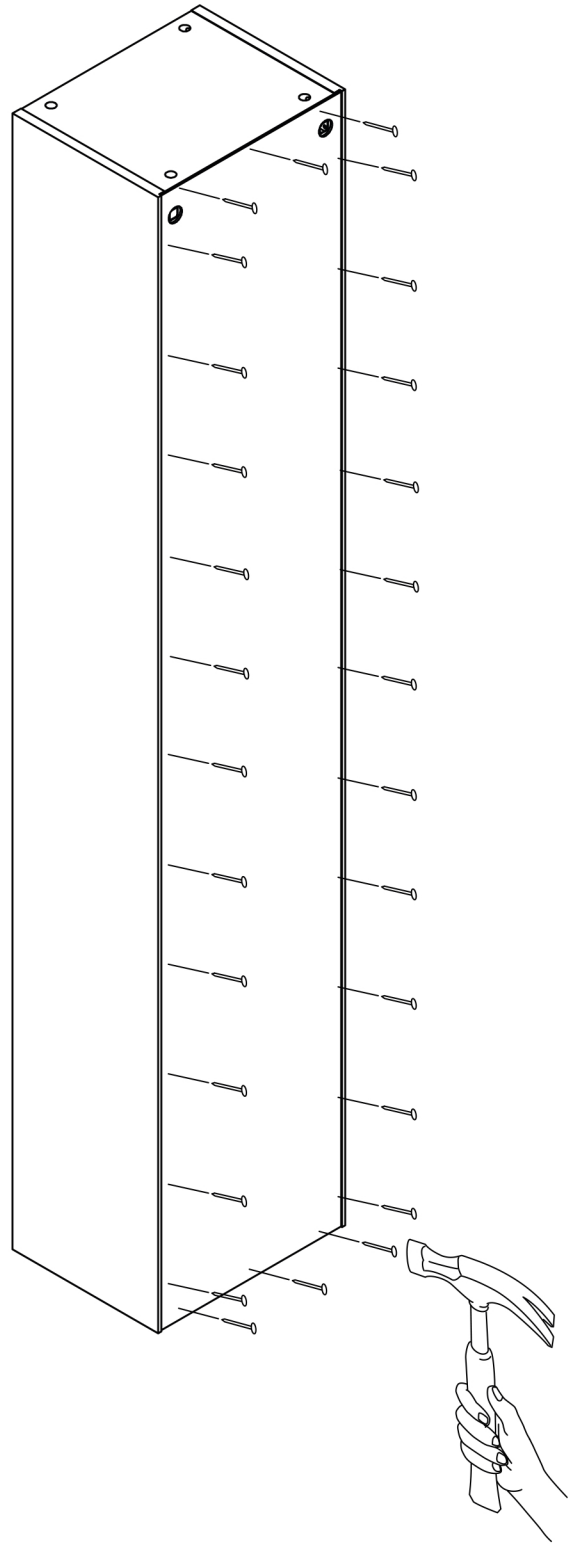
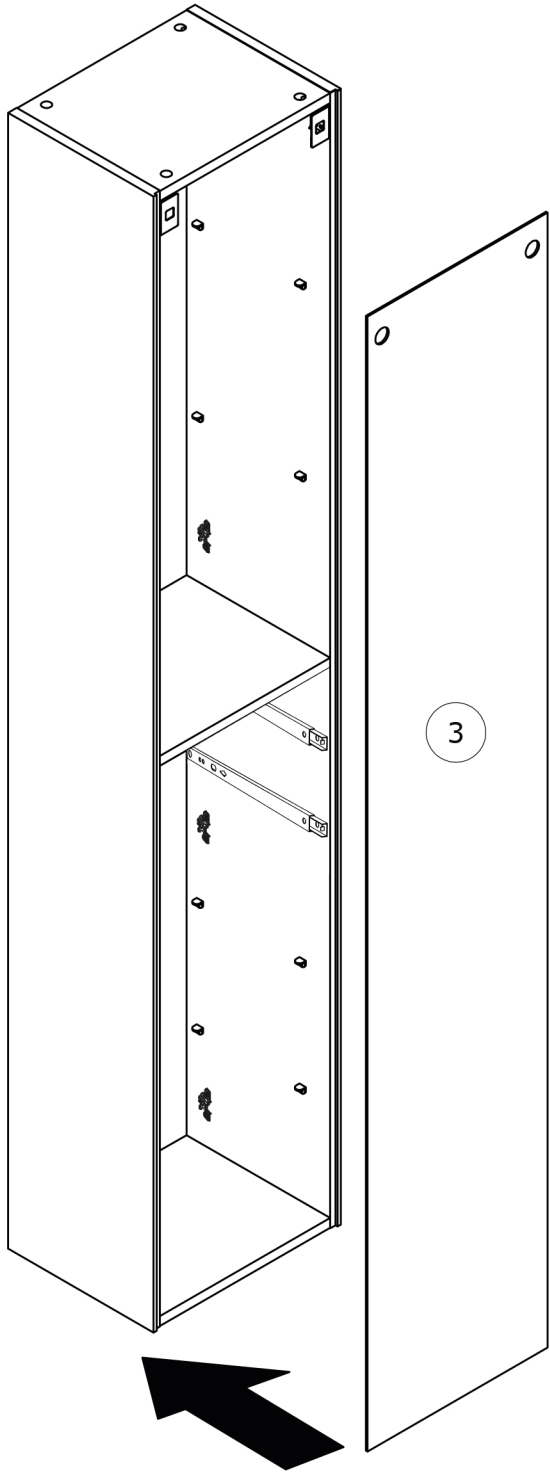


x12

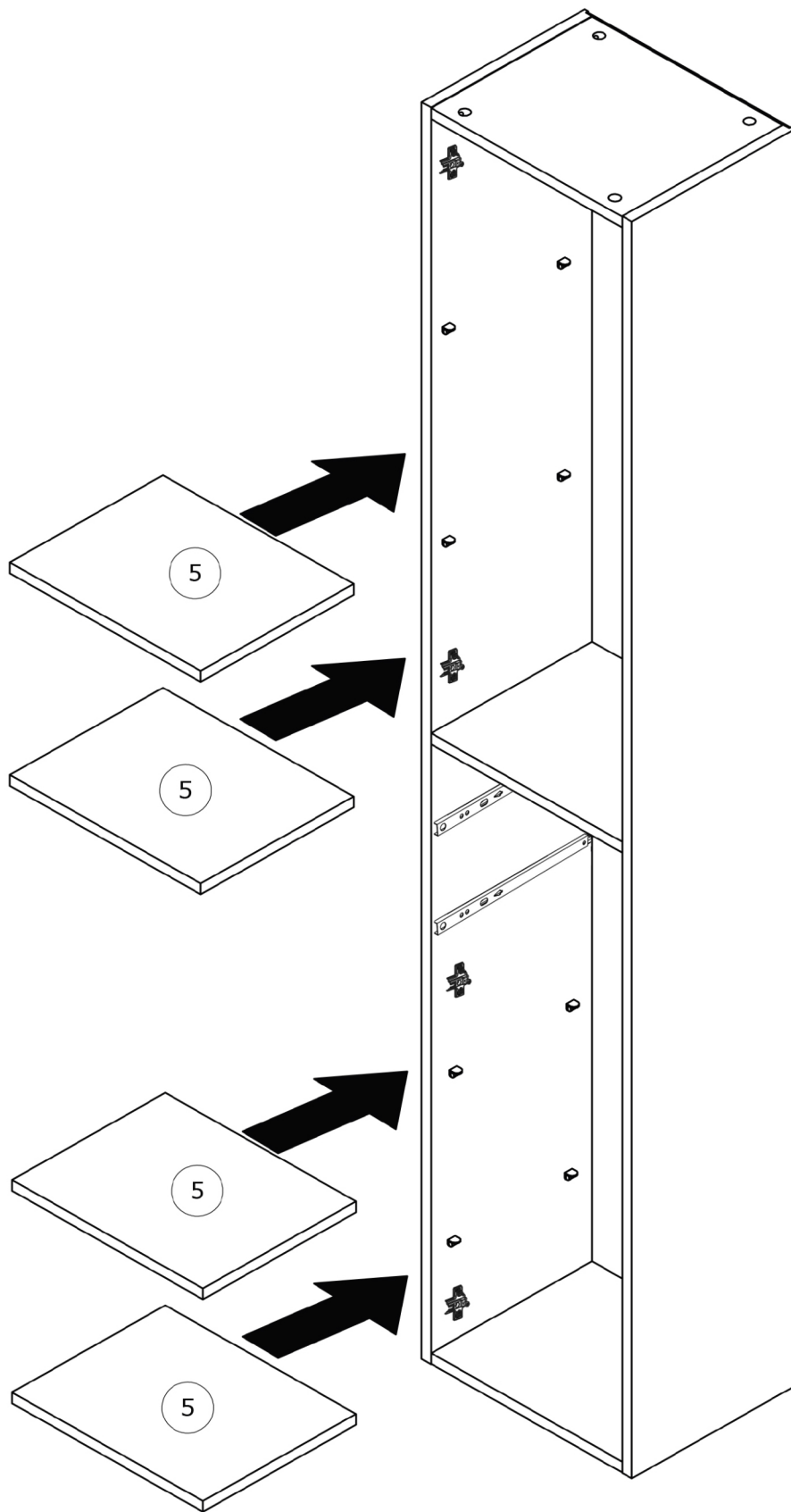


8

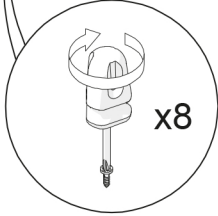
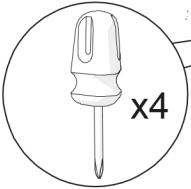
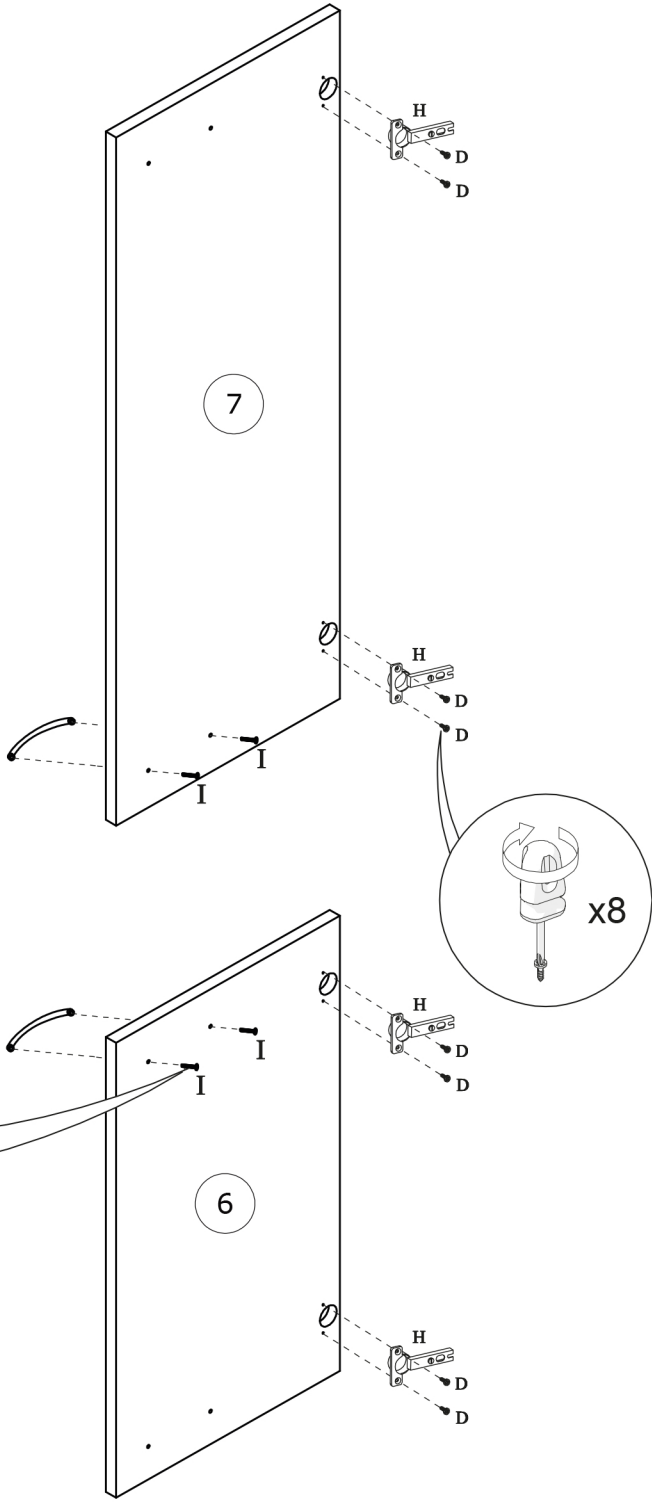




9

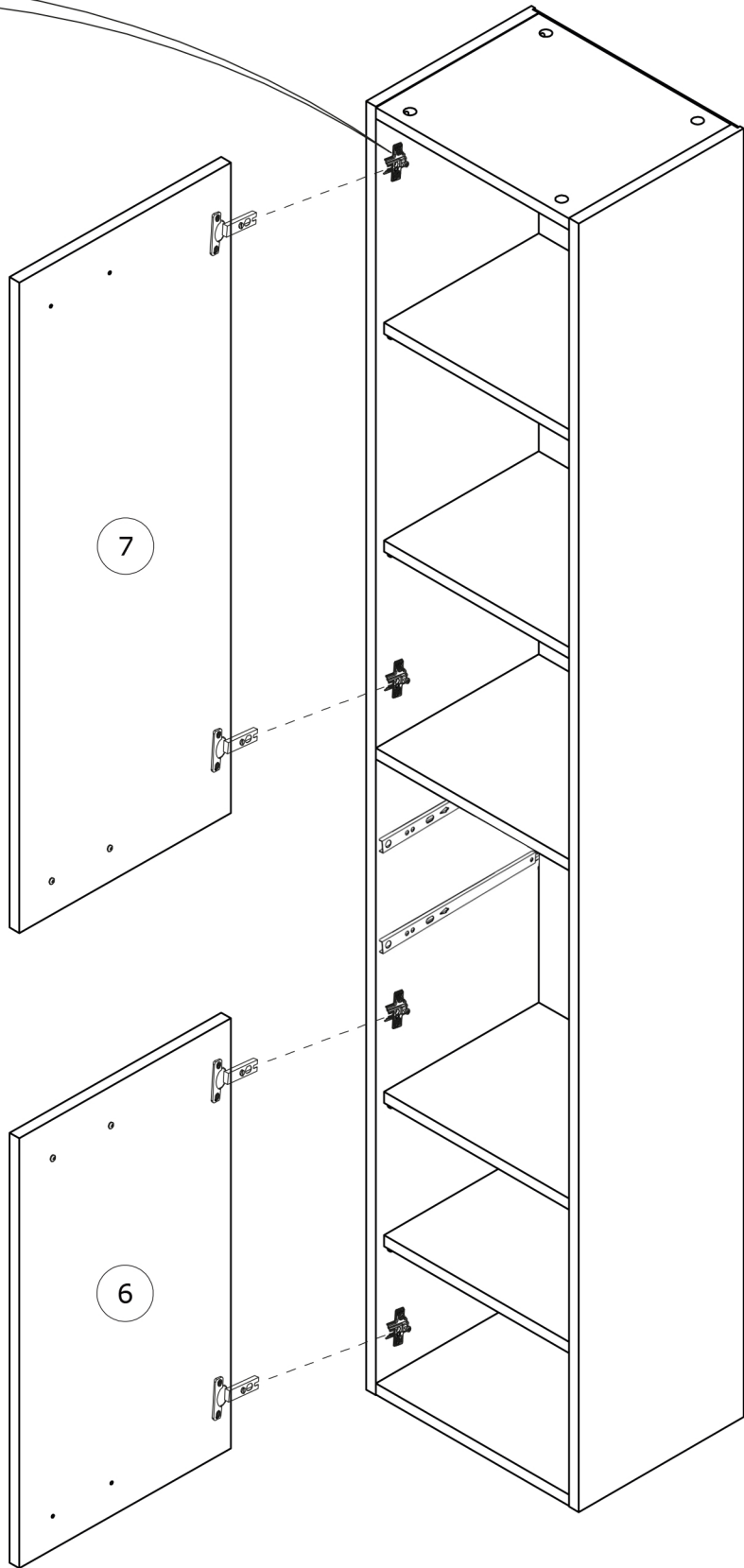
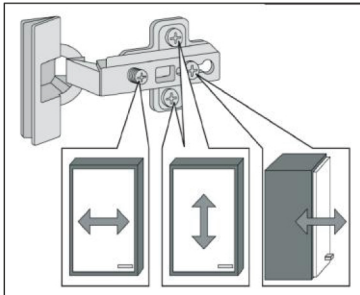
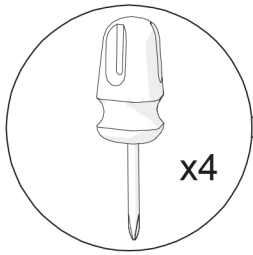


10



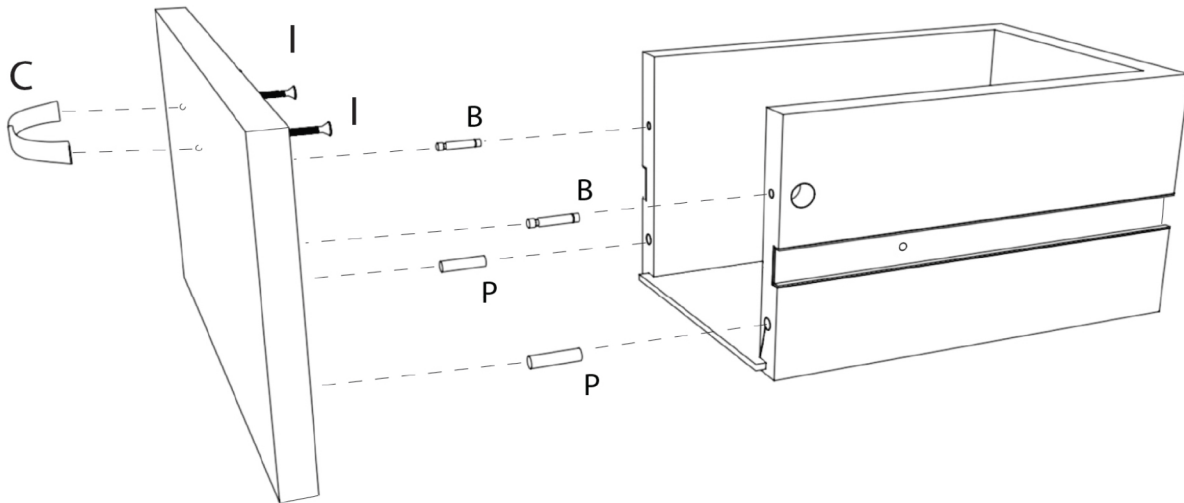
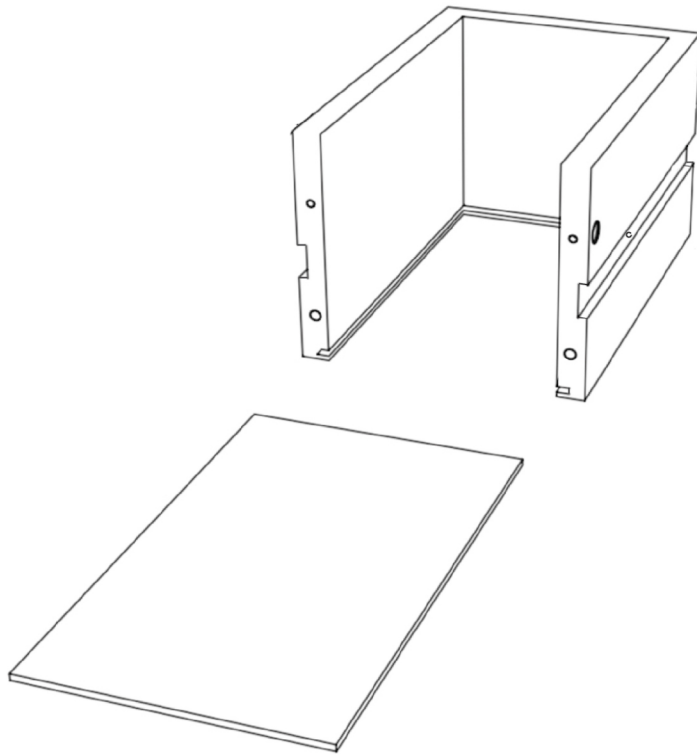
11

<p>C</p> <p>x2</p>	<p>D</p> <p>4x16 x8</p>	<p>H</p> <p>x4</p>	<p>I</p> <p>x4</p>
--------------------	-----------------------------	--------------------	--------------------







12

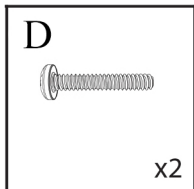
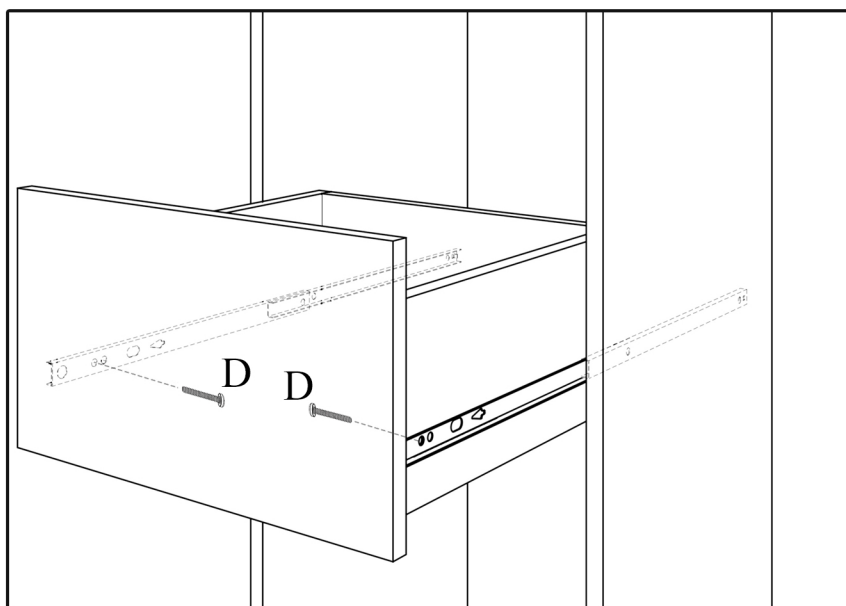
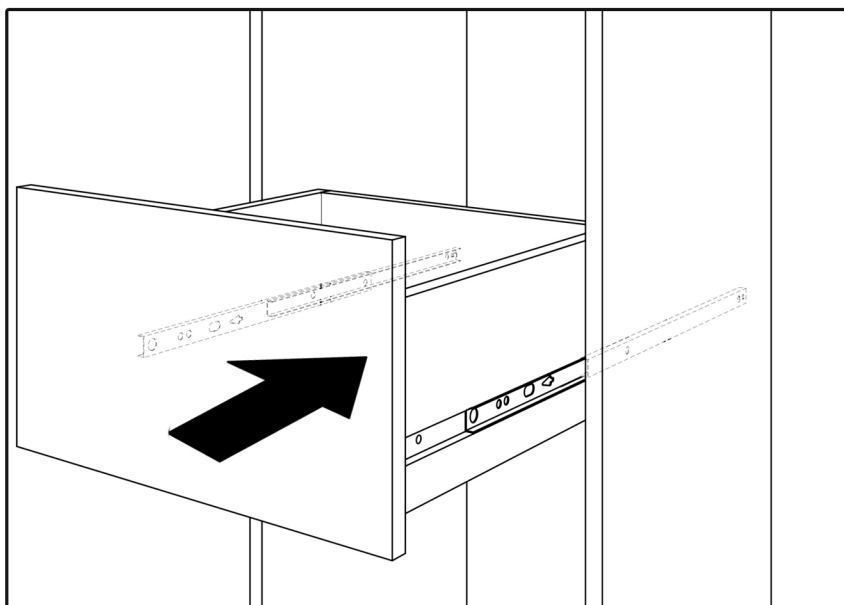
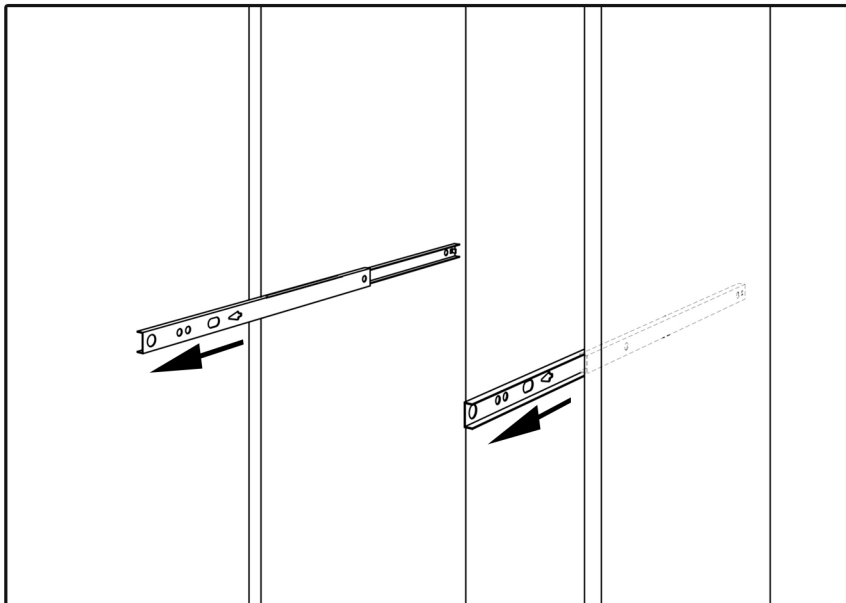




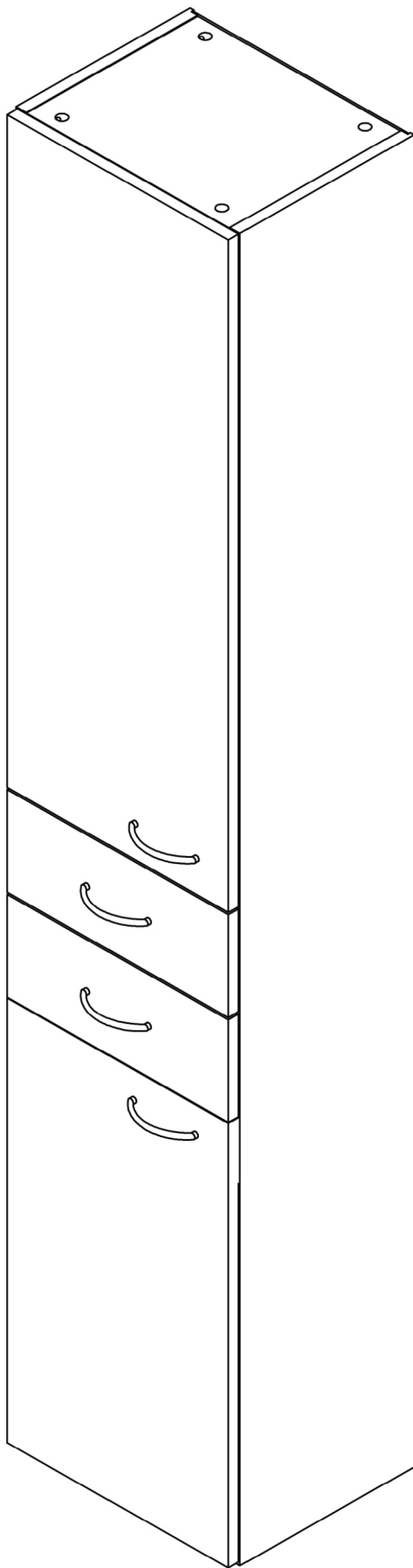
13

<p>B</p>  <p>x2</p>	<p>I</p>  <p>x2</p>	<p>P</p>  <p>x2</p>	<p>C</p>  <p>x1</p>
--	--	--	--

x2

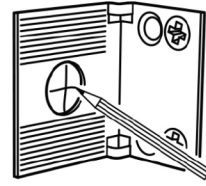


14



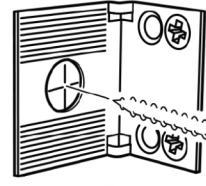
15

2x



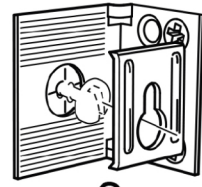
1

J



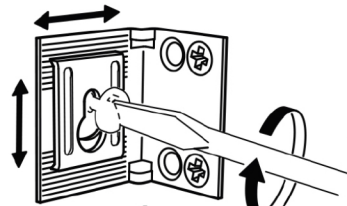
2

J



3

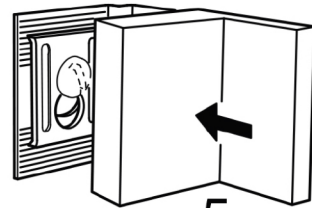
J+S



4

J+S

J+S+R



5

